





ERT1500 TELESCOPIC WHEEL LOADER 4WD

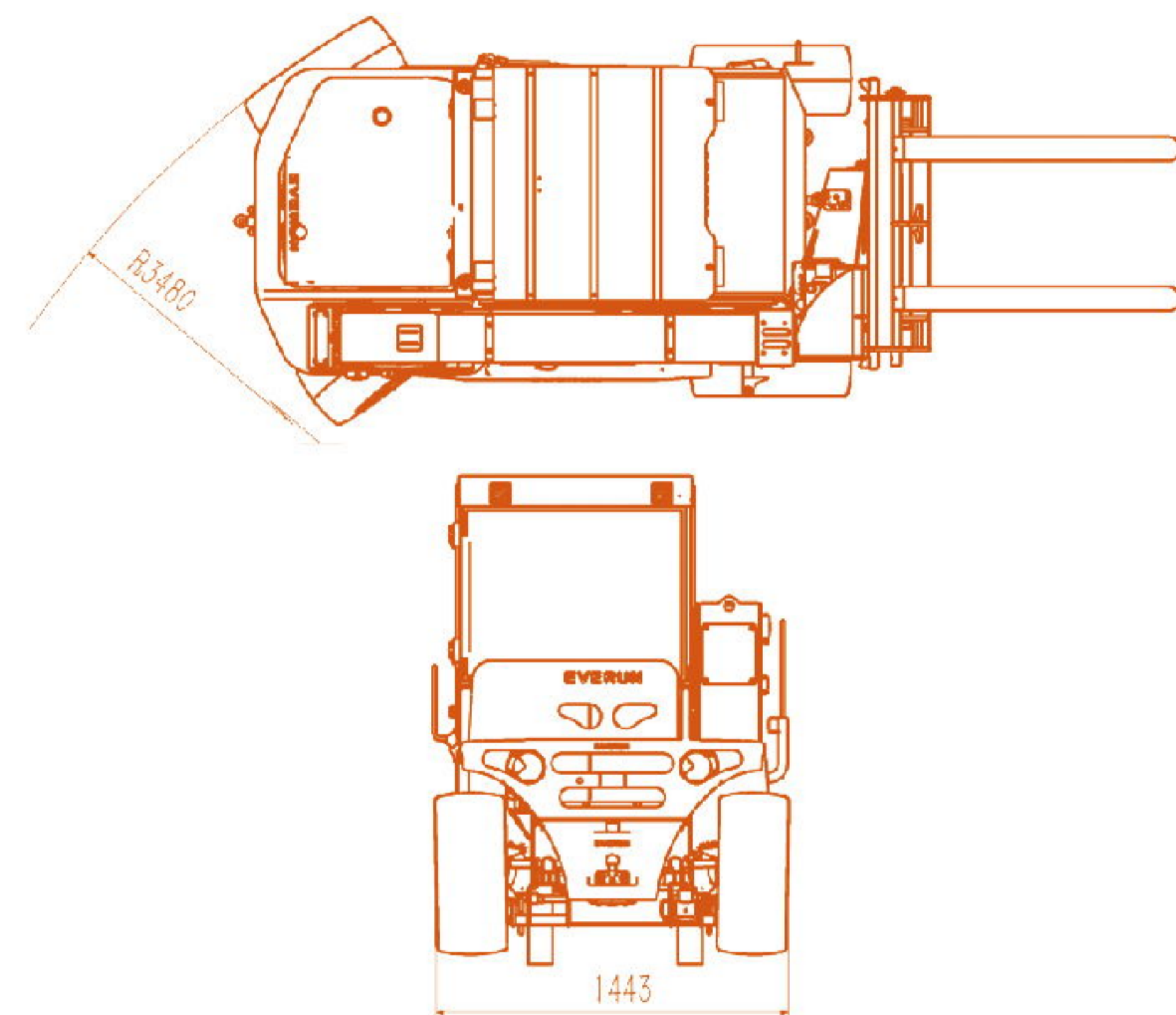
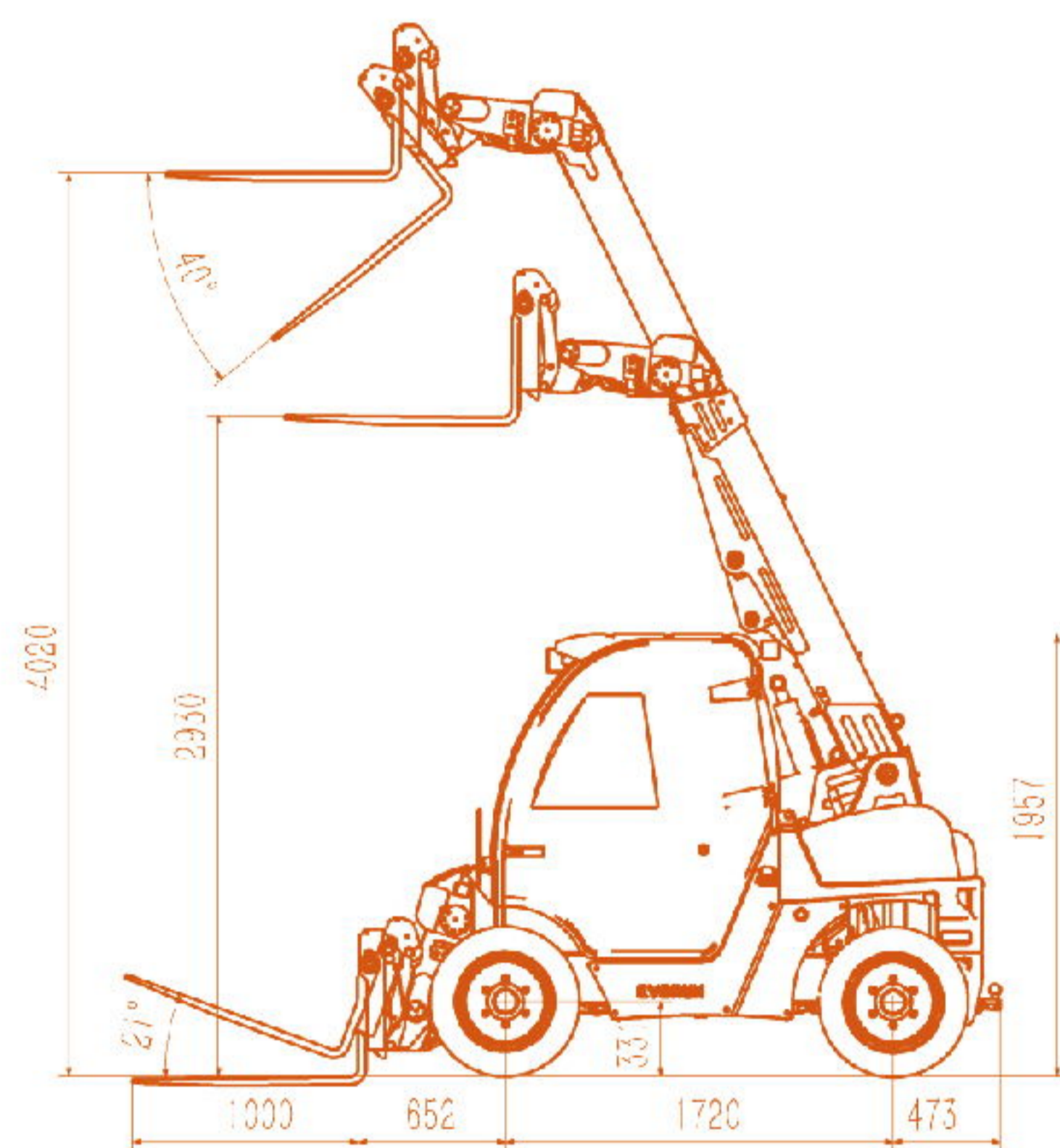
Standard Configuration

Poclain Hydrostatic Wheel Motor Driven, Perkins Engine, Steering Rear Axle, 4 Wheels Differential Lock, Eaton Steering Motor, Luxury Cabin, Luxury Seat, Preheating System, Heater, Electric Heater For Engine, LED Light, Electric Joystick, Quick Hitch, Standard Bucket, 26*12-16.5 Tyre.

Optional Configuration

E4 Lamp, Backward Camera, Overload System, Tyre Chain.

Technical Parameter



Bucket Capacity	0.3m ³	Net Weight	2.8t
Loading Capacity	1.35t	Lifting Time	10s
Max. Driving Speed(I/II)	8/16km/h	Working Pressure	21mpa
Fuel Consumption Ration	230g/kw·h	Wheel Base	1700mm
Engine Model	Perkins 403D-15	Breakout Force	10kn
Engine Power	20.9/24.6kw	Tyre	26*12-16.5
Rated Speed	2200/2800r/min	Oil Flow	22L/min
Service Brake	Four Wheel Hydraulic Spread-Shoed Brake		

Qingdao Everun Machinery Co.,Ltd

Address : Room 902, Yongxin International Finance Centre
No.6 Qinling Road, Qingdao, China

Tel : +86-532-80997859

Website: www.everun.cc

•••••  : www.everun.com

Email : info@everun.cc

Fax: +86-532-80993178

