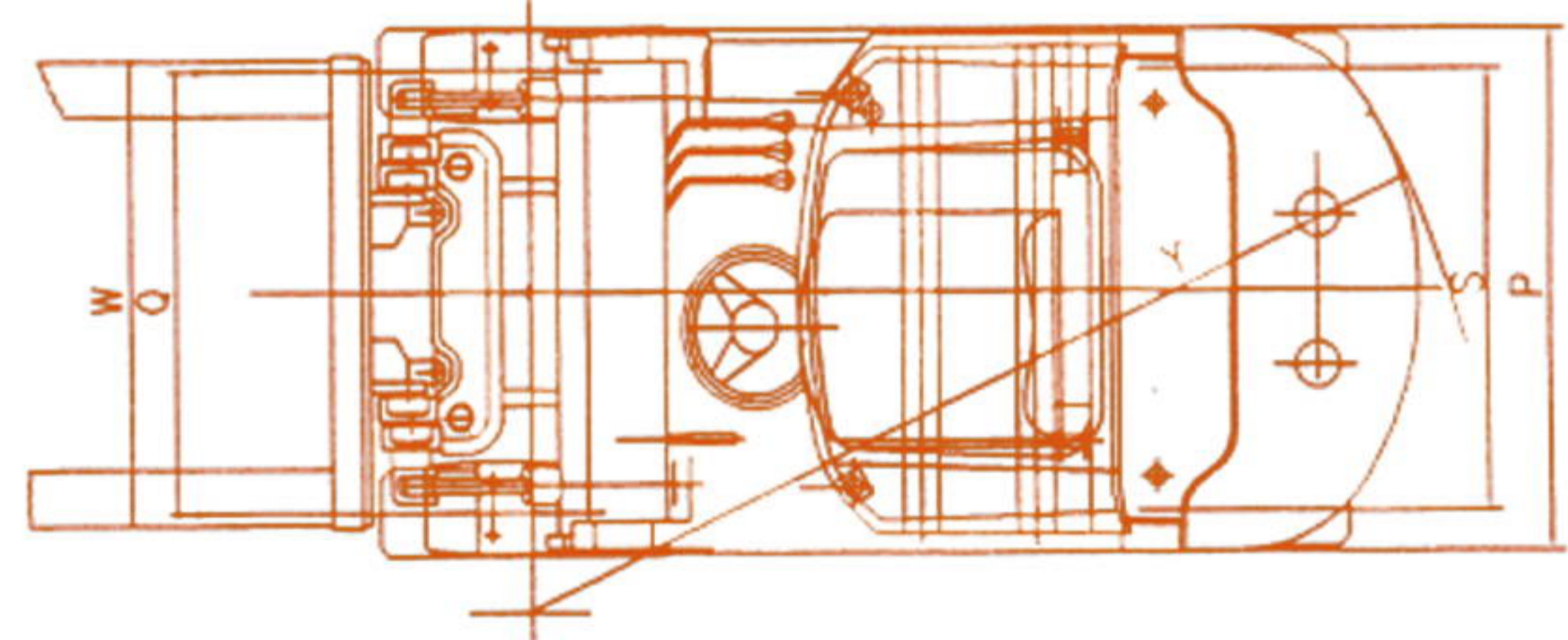
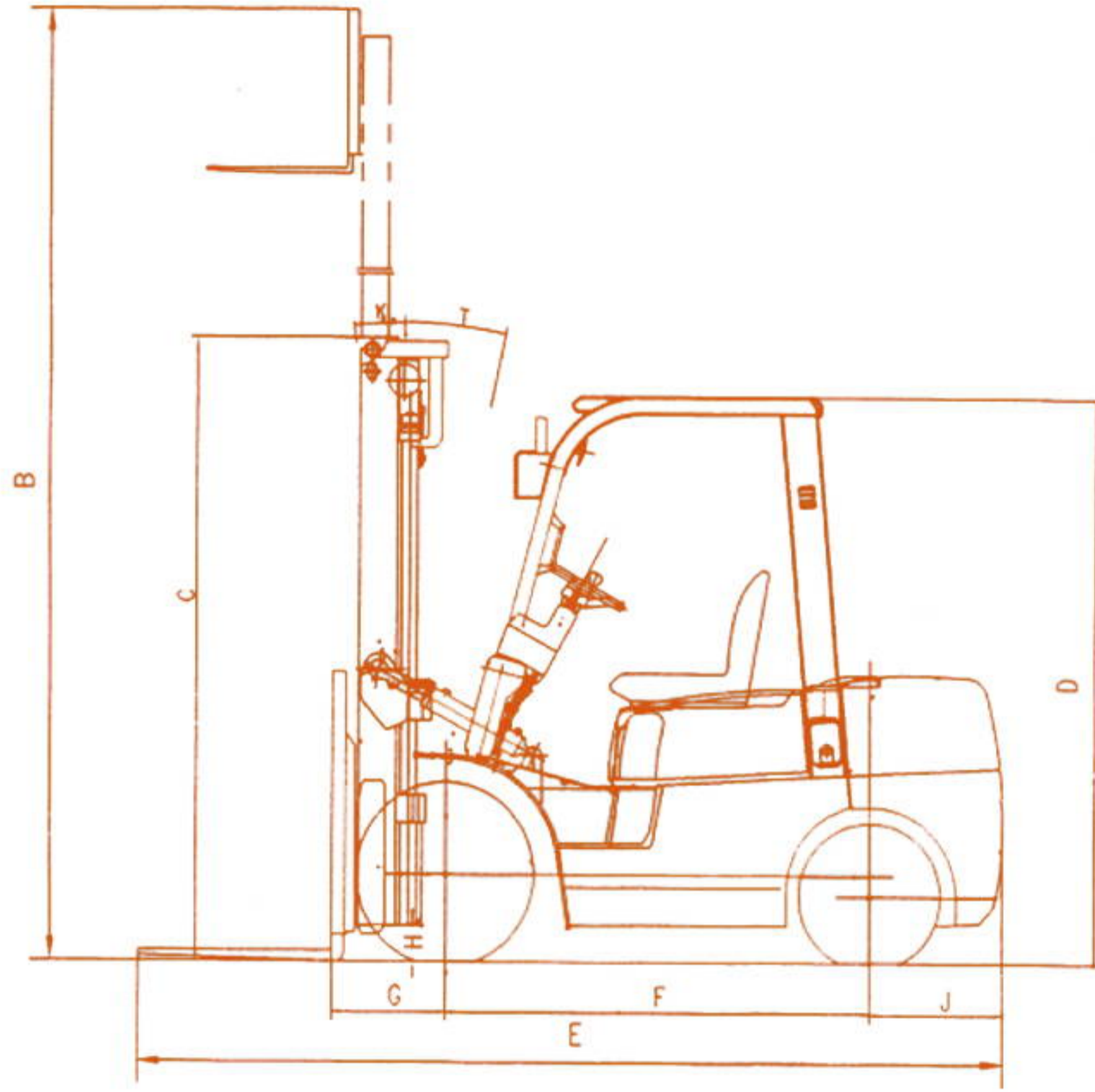






EVERUN ERDF25 DIESEL FORKLIFT 4WD



Technical Parameter

Rated Capacity	2500kg	Power Type	Diesel
Load Center	500mm	Fork Length	1220mm
Transmission	Auto Transmission	Fork Width	122mm
Lifting Height	3000mm	Fork Thickness	40mm
Free Lifting Height	60mm	Service Weight	3600kg
Turning Radius	2450mm	Engine Model	China Engine
Overall Length	3605mm	Engine Power	36.8kw
Overall Width	1160mm	Rated Speed	2500r/min
Overall Height (Mast Lowered)	2095mm	Displacement	2.67L
Overall Height (Mast Raised)	4080mm	No. of Cylinder	4
Overall Height (Overhead Guard)	2095mm	Front Overhang	451mm
Max. Lifting Speed (With Load)	400mm/s	Wheel Base	1640mm
Max. Traction (With/without Load)	15/10kn	Front Tread	970mm
Gradeability (With/without Load)	15/20%	Rear Tread	970mm
Max. Driving Speed (with/Without Load)	17/19km/h	Front Tire	7.00-12
Tilting Angles (Forward/Backward)	6/12°	Rear Tire	6.00-9

Qingdao Everun Machinery Co.,Ltd

Address : Room 902, Yongxin International Finance Centre
No.6 Qinling Road, Qingdao, China

Tel : +86-532-80997859

Website: www.everun.cc

•••••  : www.everun.com

Email : info@everun.cc

Fax: +86-532-80993178

