





# EVERUN ER26 WHEEL LOADER 4WD

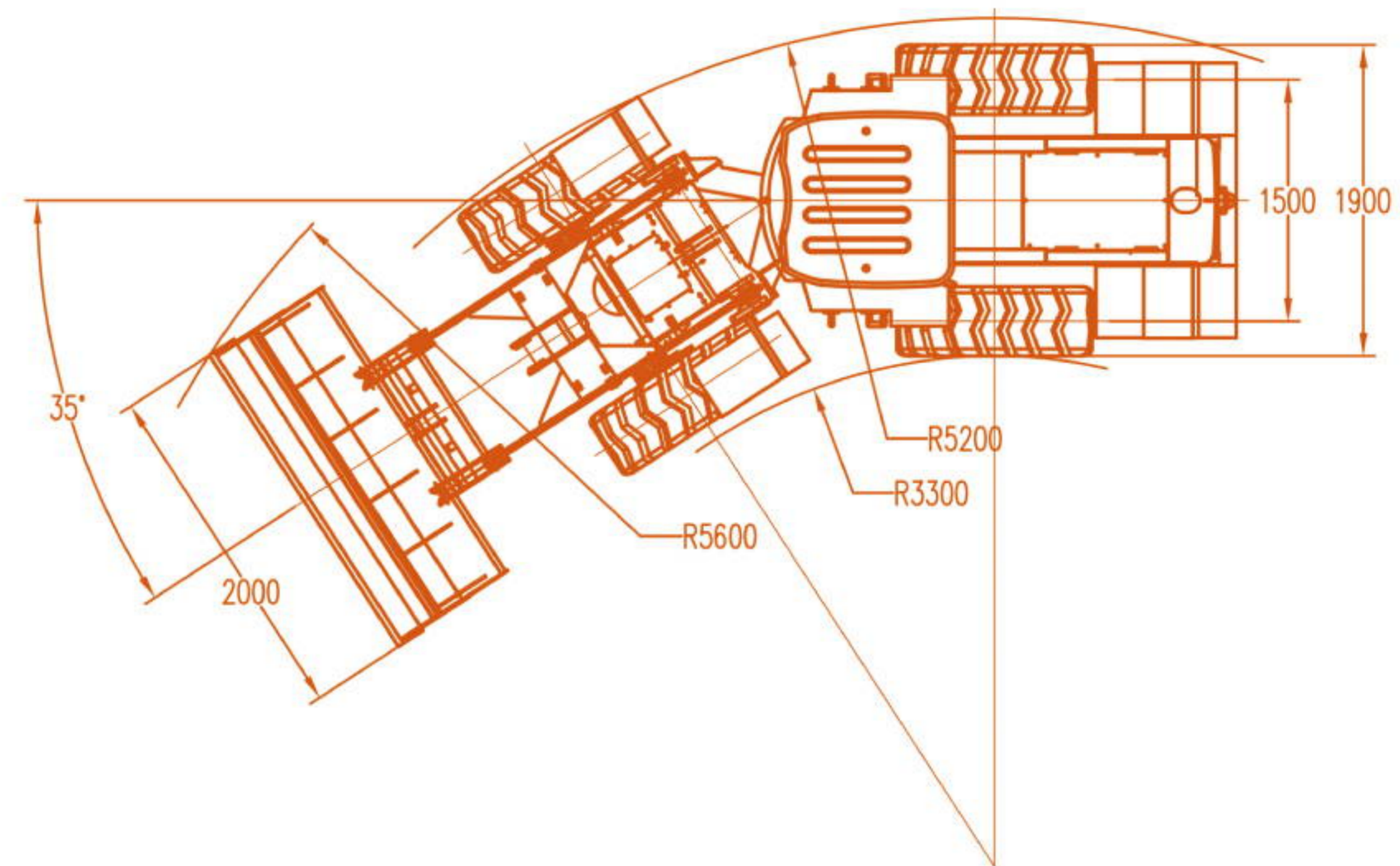
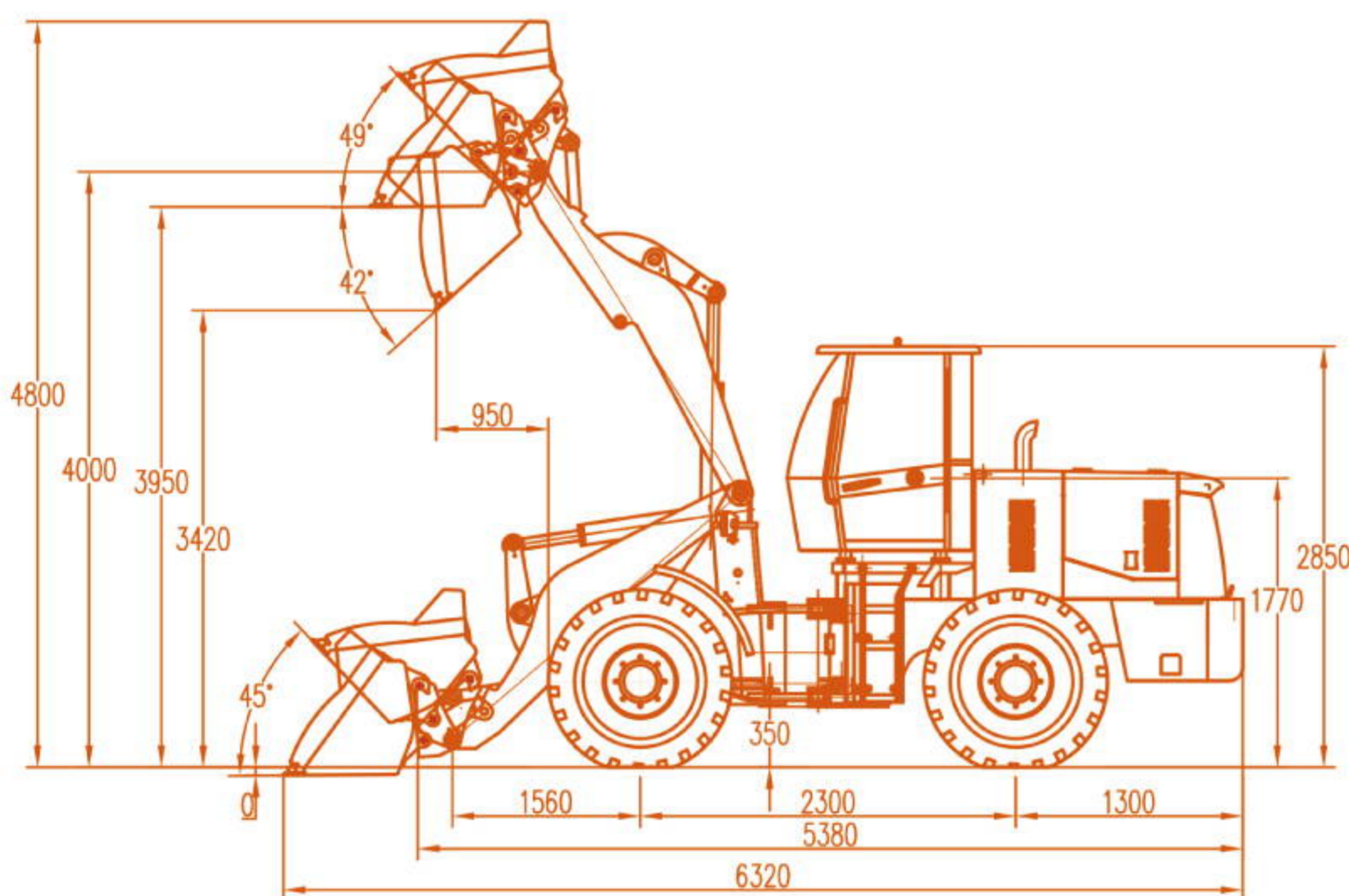
## Standard Configuration

Standard Bucket, Hydraulic Torque Converter Transmission, Floating Function, Hydraulic Joystick, Quick Hitch 130W Heater, 220V Engine Heater, Rops&Fops Cabin, Luxury Cabin Inside, Backward Imagine, Comfortable Seat, Adjustable Steering Wheel, Wheel Reducer Axle, Air Brake, Lock for Lifting and Steering Cylinder, Hydraulic Pressure Check System, Parallel Linkage, 16/70-20 Tire, Free Service Spare Parts etc.

## Optional Configuration

Electric Joystick, Air conditioner, Extra Hydraulic Line, LED Light, E4 Lamp, Varta Anti-Freeze Battery, Tyre Chain Three-Point Hitch, Loading Damper, Centralized Lubrication System, Loader Weighter, 5 Functions Electric Joystick, Cummins QSF3.8 Engine(Euro3), Different Attachments.

## Technical Parameter



Bucket Capacity	1.5m <sup>3</sup>	Net Weight	5500kg
Loading Capacity	2000kg	Lifting Time	6s
Max. Driving Speed(I/II)	10/22km/h	Working Pressure	16mpa
Fuel Consumption Ration	220g/km.h	Wheel Base	2300mm
Engine Model	ChangChai 4G33	Breakout Force	58kn
Engine Power	70kw	Tyre	16/70-20
Service Brake	Air Over Hydraulic Disc Brake On Four Wheels	Oil Flow	90L/min
		Rated Speed	2200r/min

**Qingdao Everun Machinery Co.,Ltd**

Address : Room 902, Yongxin International Finance Centre  
No.6 Qinling Road, Qingdao, China

Tel : +86-532-80997859

Website: [www.everun.cc](http://www.everun.cc)

•••••  [www.everun.com](http://www.everun.com)

Email : [info@everun.cc](mailto:info@everun.cc)

Fax: +86-532-80993178

