





EVERUN ER12 WHEEL LOADER 4WD

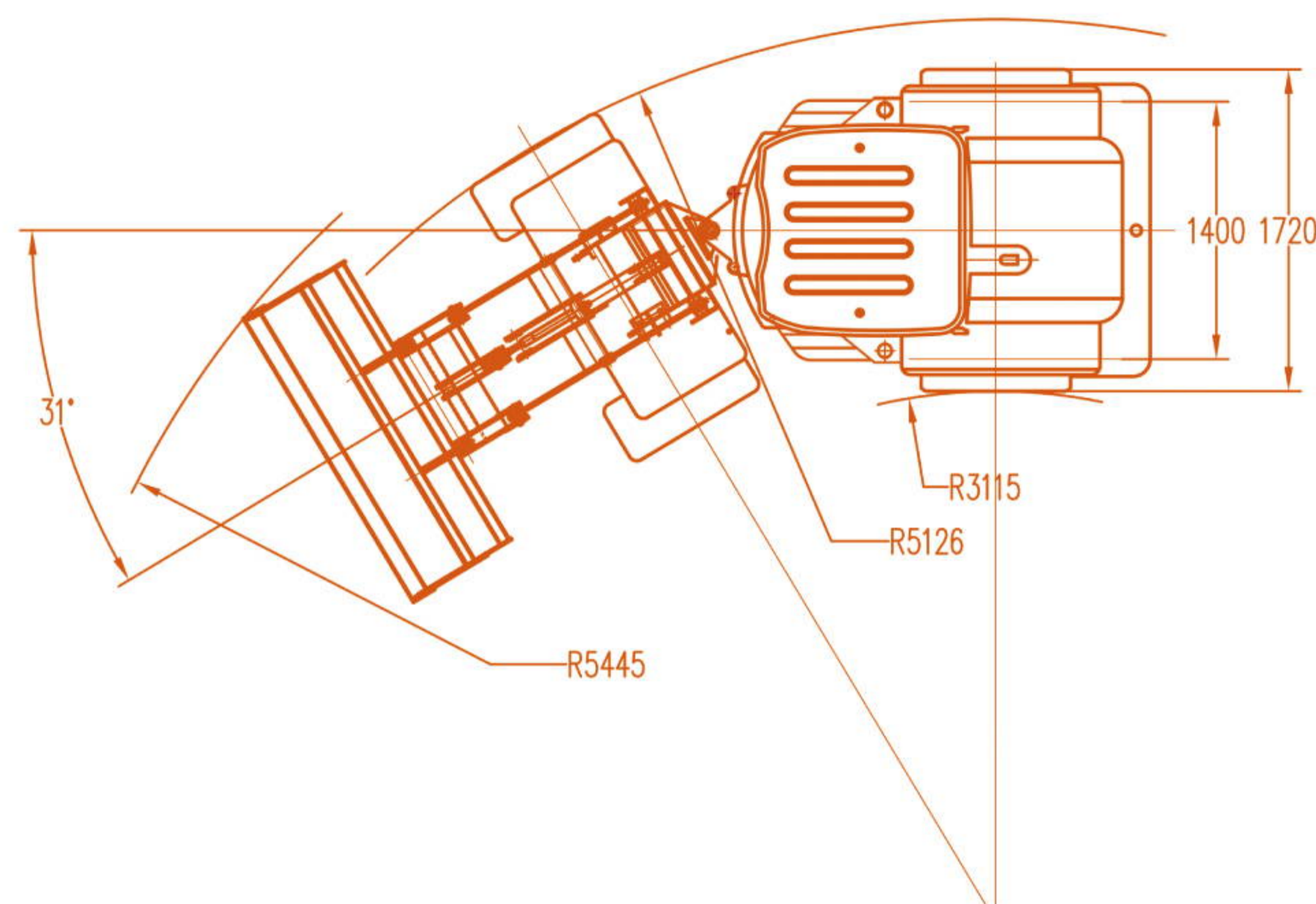
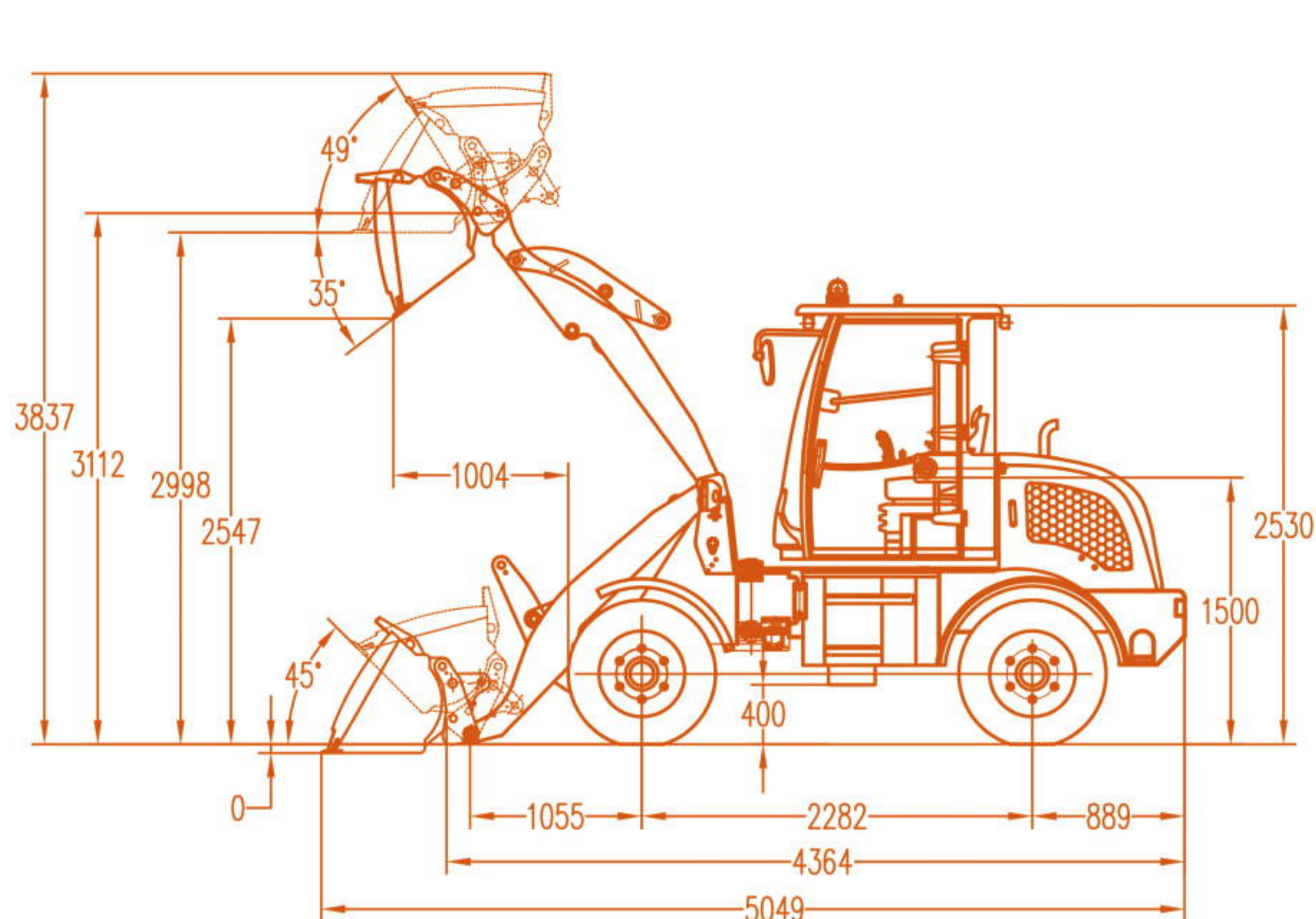
Standard Configuration

Standard Bucket, Xinchai490 Engine(Euro3 Engine), Torque Converter Transmission System, Rops &Fops Cabin, Mechanical Joystick, Floating Function, Tipping Cabin, Adjustable Steering Wheel, Comfortable Seat, Cabin Heater Backward Camera, Hydraulic-Pressure Checking System, Engine Heater, 20.5/70-16 Agricultural Tyres, Lock for Lifting and Steering Cylinder, Parallel Linkage System, Free Service Spare Parts.

Optional Configuration

Quick Hitch, Electric Joystick, Air Conditioner, Extra Hydraulic Line, LED Light, E4 Lamp, Varta Anti-Freeze Battery 31*15.5-15 Agricultural Tyres, 33*15.5-16.5 Turf Tyres, Tyre Chain, Three-Point Hitch, Loading Damper, Centralized Lubrication System, Loader Weighter, 5 Functions Electric Joystick, Kohler 1903TCR Engine(EPA4), Cummins QSF2.8 Engine(EPA4), Yanmar 4TNV94L Engine(Euro3), Different Attachments

Technical Parameter



Bucket Capacity	0.53m ³
Loading Capacity	1200kg
Max. Driving Speed(I/II)	10/22km/h
Fuel Consumption Ration	235g/km·h
Engine Model	Xinchai 490
Engine Power	36.8kw
Service Brake	Four Wheel Hydraulic Spread-Shoed Brake

Net Weight	3300kg
Lifting Time	7s
Working Pressure	17mpa
Wheel Base	2282mm
Breakout Force	28kn
Tyre	20.5/70-16
Oil Flow	66L/min
Rated Speed	2650r/min

Qingdao Everun Machinery Co.,Ltd

Address : Room 902, Yongxin International Finance Centre
No.6 Qinling Road, Qingdao, China

Tel : +86-532-80997859

Website: www.everun.cc

••••• : www.everun.com

Email : info@everun.cc

Fax: +86-532-80993178

