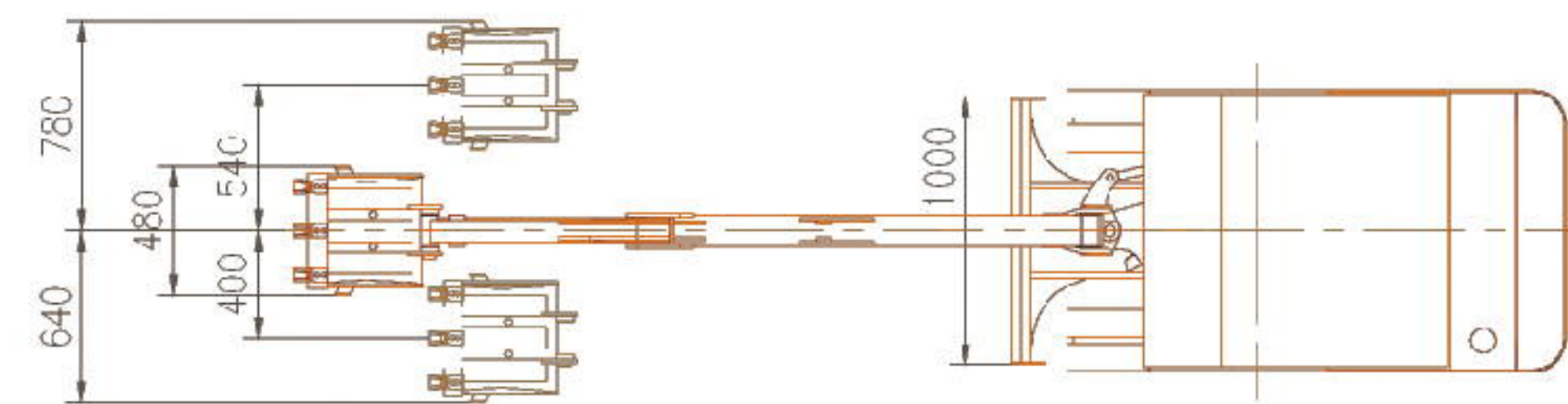
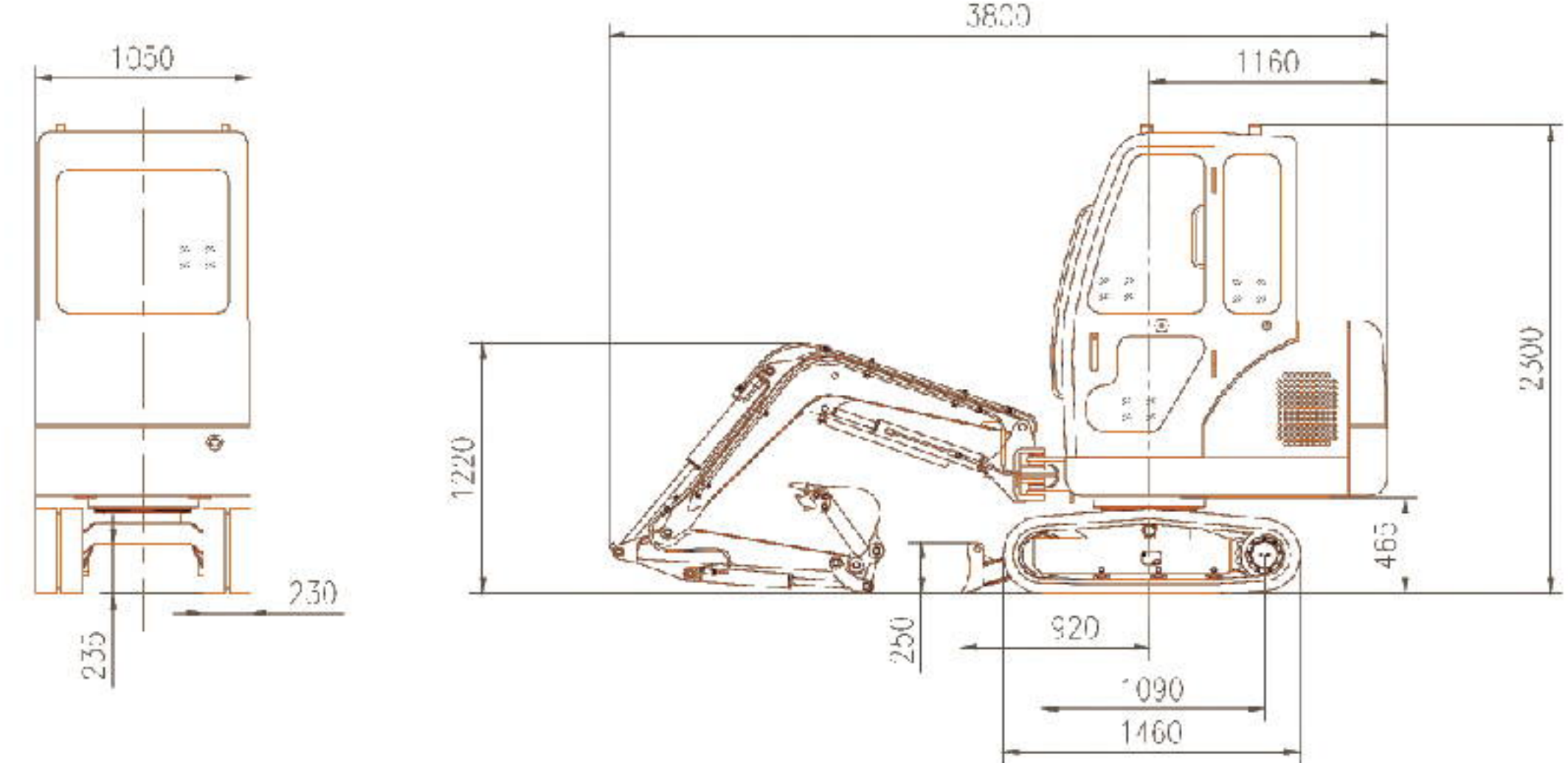
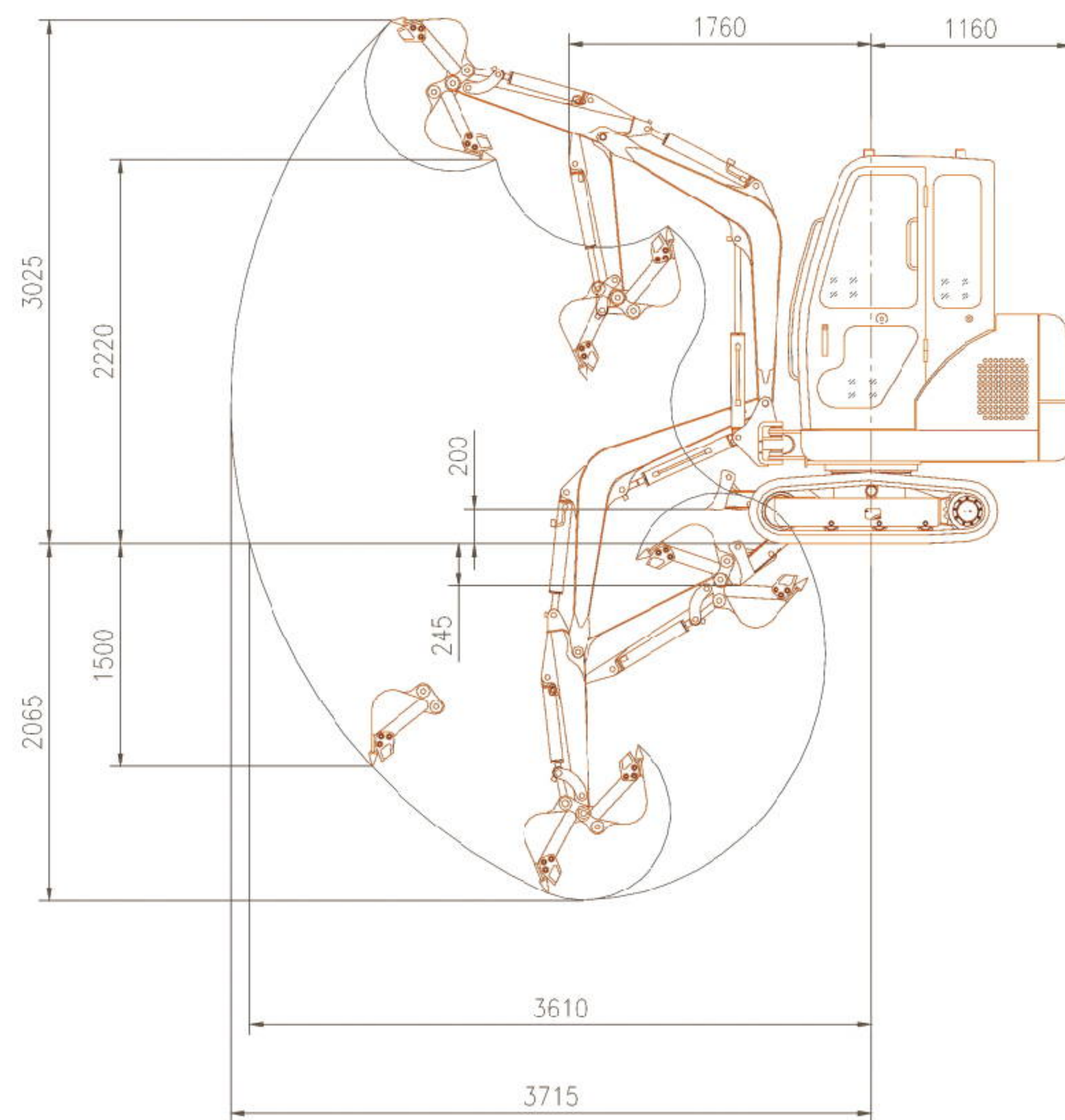






EVERUN ERE18 CRAWLER EXCAVATOR



Technical Parameter

Boom Length	1804mm	Engine Model	Laidong
Mini Ground Clearance	230mm	Track Width	230mm
Max Digging Reach	3715mm	Hydraulic System	20mpa
Max Digging Depth	2065mm	Swing System	10rpm
Max Dumping Height	3025mm	Travel Speed	0~4.5 km/h
Mini Swing Radius	1160mm	Power	19.1kw/2300 kw/rpm
Rear Swing Radius	1160mm	Arm Length	930mm
Max Vertical Digging Depth	1500mm	Grade Ability	<35 Degree
Machine Weight	1800kg	Ground Pressure	30kpa
Bucket Digging Force	14kn	Overall Width	1060mm
Arm Digging Force	10kn	Overall Height	2300mm
Max Grounding Digging Range	3610mm	Overall Length	3800mm
Ground Contact Length Of Track	1250mm	Bucket Capacity	0.06m3
		Track Gauge	910mm
		Bucket Capacity	0.06m3

Qingdao Everun Machinery Co.,Ltd

Address : Room 902, Yongxin International Finance Centre
No.6 Qinling Road, Qingdao, China

Tel : +86-532-80997859

Website: www.everun.cc

▶▶▶ : www.everun.com

Email : info@everun.cc

Fax: +86-532-80993178

