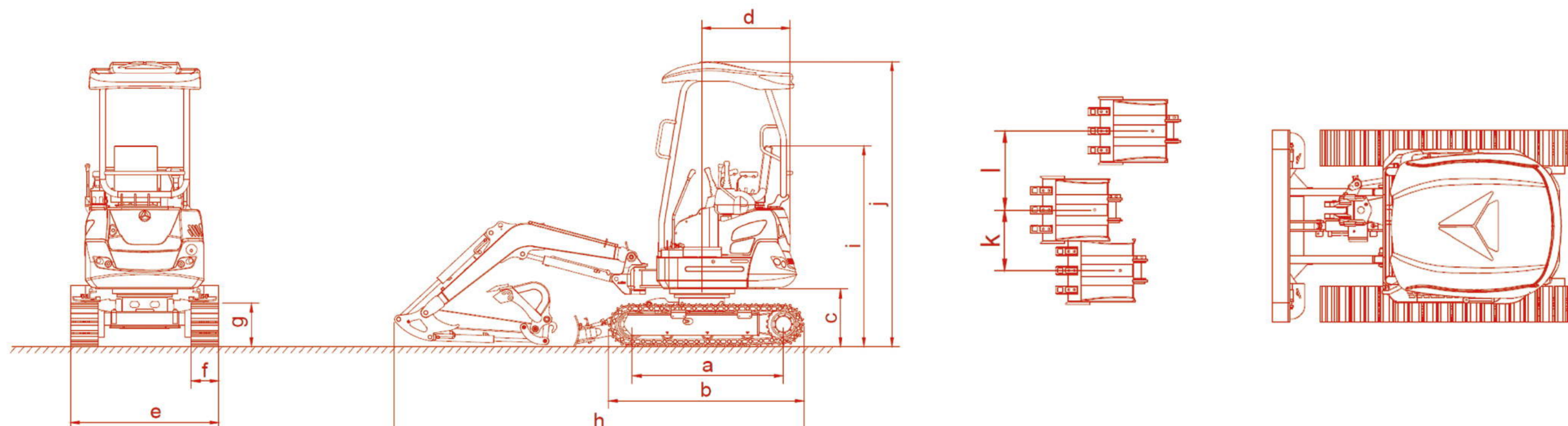






# EVERUN ERE20 CRAWLER EXCAVATOR



## Technical Parameter

Platform Ground Clearance	473mm	Operating Weight	2000kg
Platform Back Turning Radius	740mm	Digging Bucket Capacity	0.05cbm/500kg
Track Width	230 mm	Engine	Yanmar (3TNV70-S)
Chassis Ground Clearance	460 mm	Rated Power	10kw/2200/r/min
Bucket Digging Force	13.5Kn	Displacement	0.854L
Arm Digging Force	10.1Kn	Bore Stroke	Three Cylinder, Water Cool
Theoretical Maximum Traction	17.5kn	Main Pump	JAPAN NAICH
Hydraulic Oil Tank Capacity	15.3L	Pump Flow	23.3L/Min
Engine Oil Tank Capacity	2.8(1.3)L	Overall Dimension( LxWxH)	3400x1040x2350mm
Max. Digging Depth	2150 mm	Total Length Of Track On Land	1590mm
Max. Vertical Digging Depth	1740 mm	Diesel Tank Capacity	19 L
Max. Digging Height	3275 mm	Valve	JAPAN KYB
Max. Dumping Height	2310 mm	Displacement	6.8ml/r
Max. Digging Radius on Ground	3610 mm	Swing Motor	EATON
Min. Rotation Radius	1580 mm	Traveling Motor	DONGHYUAN
Max. Upgrade Height of Bulldozer Blade	275 mm	Ground Specific Pressure	32.8KPA
Max. Digging Depth of Bulldozer Blade	180 mm	Track Height	360 mm
Digging Bucket Width	420mm, can Add narrow Bucket is 200mm	Swing Boom to Left	390 mm
		Swing Boom to Right	510 mm
		Chassis Width	990 mm(Retract)/ 1240mm(Extended)

**Qingdao Everun Machinery Co.,Ltd**

Address : Room 902, Yongxin International Finance Centre  
No.6 Qinling Road, Qingdao, China

Tel : +86-532-80997859

Website: [www.everun.cc](http://www.everun.cc)

•••••  : [www.everun.com](http://www.everun.com)

Email : [info@everun.cc](mailto:info@everun.cc)

Fax: +86-532-80993178

