





EVERUN ER25 WHEEL LOADER 4WD

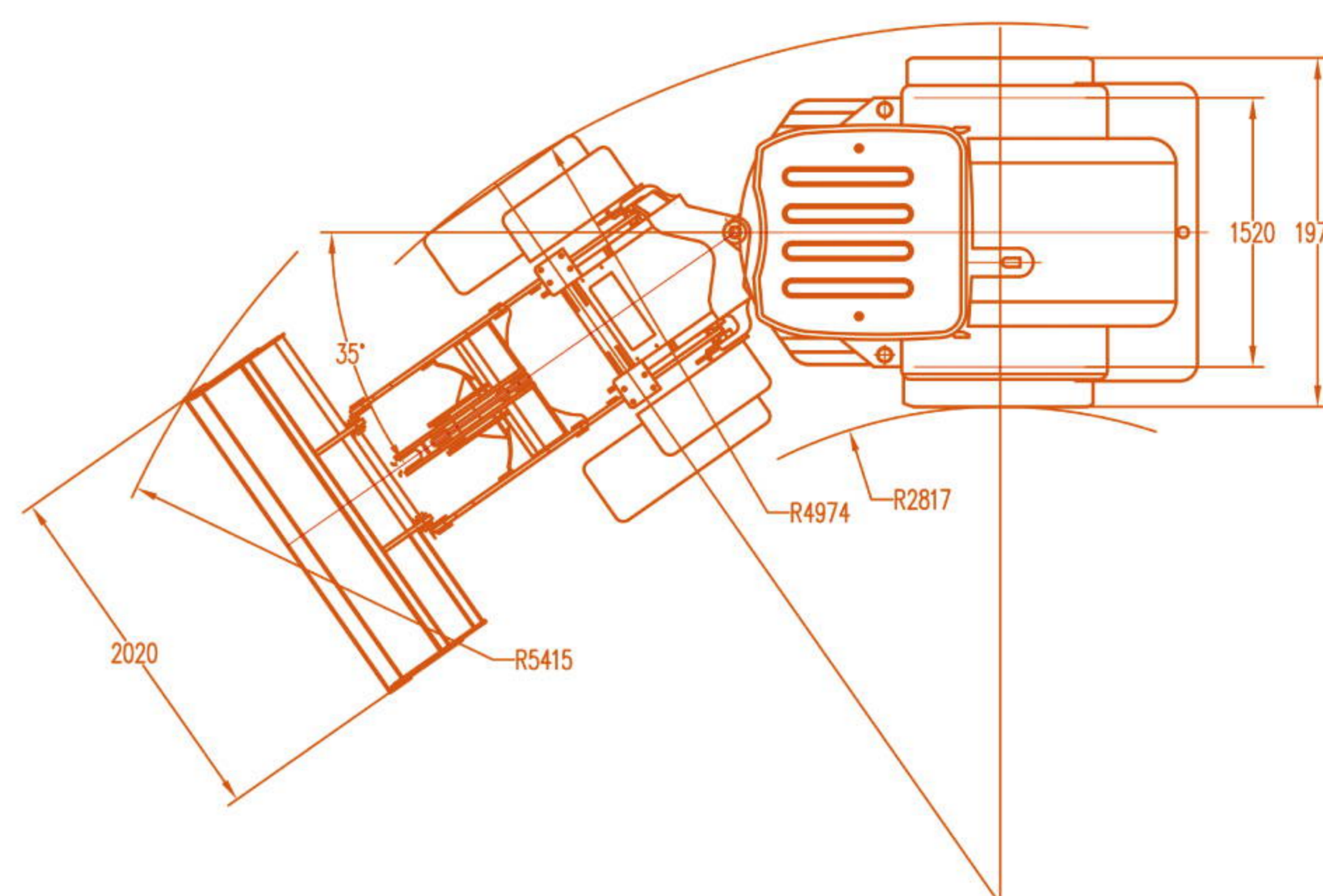
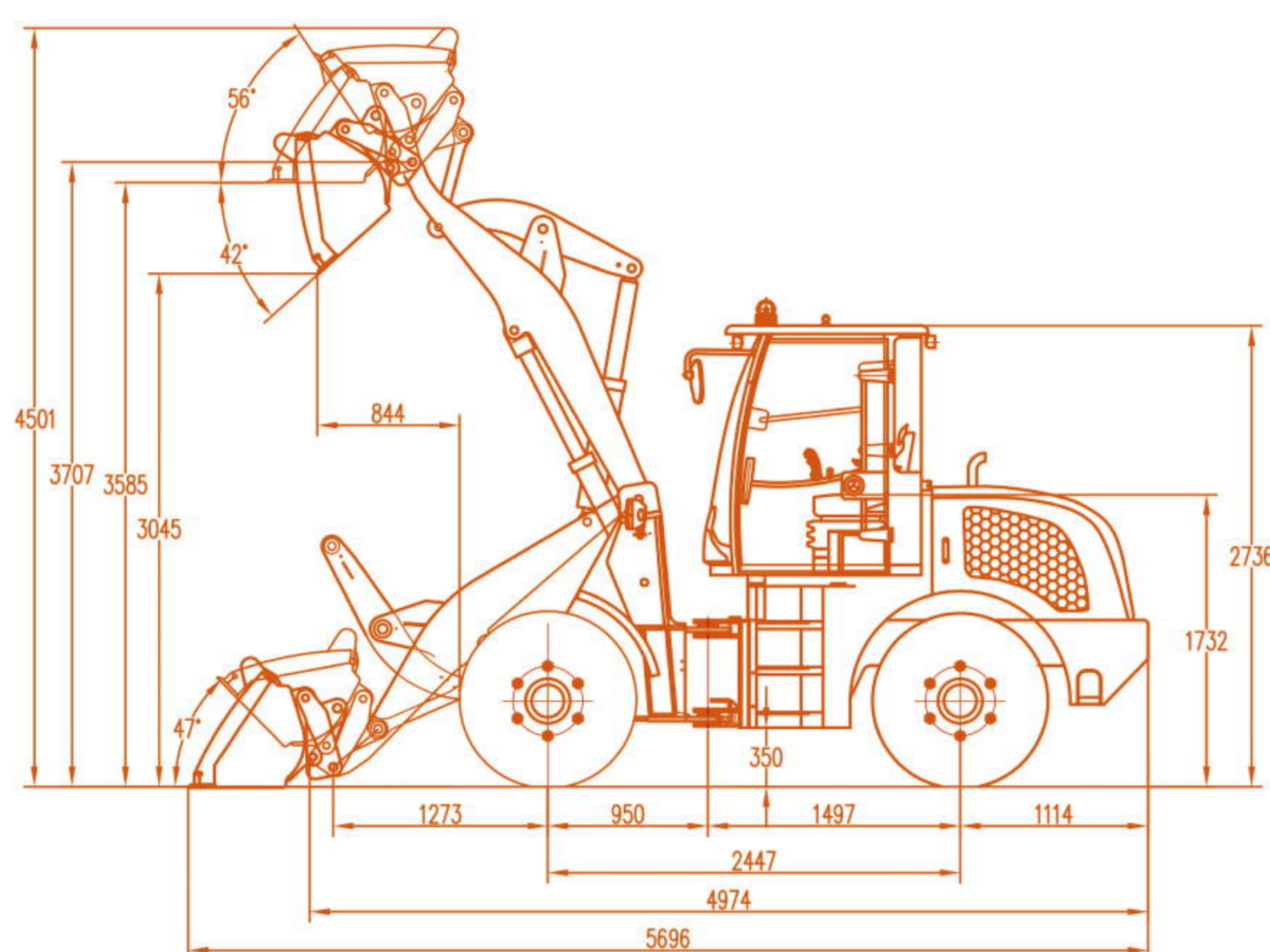
Standard Configuration

Standard Bucket, Xichai 4DX22-96 Engine Turbo Engine, Torque Converter Transmission System, Rops & Fops Cabin Hydraulic Joystick, Floating Function, Tipping Cabin, Adjustable Steering Wheel, Comfortable Seat, Cabin Heater, Backward Camera, Hydraulic-Pressure Checking System, Engine Heater, Wheel-Reducer Axle, Air Brake, 16/70-20 Agricultural Tyres, Lock for Lifting and Steering Cylinder, Parallel Linkage System, Free Service Spare Parts.

Optional Configuration

Quick Hitch, Electric Joystick, Air Conditioner, Extra Hydraulic Line, LED Light, E4 Lamp, Varta Anti-Freeze Battery Tyre Chain, Three-Point Hitch, Loading Damper, Centralized Lubrication System, Loader Weighter, 5 Functions Electric Joystick, Cummins QSF3.8 Engine(Euro3), Different Attachments.

Technical Parameter



Bucket Capacity	0.72m ³	Net Weight	5500kg
Loading Capacity	2500kg	Lifting Time	9s
Max. Driving Speed(I/II)	5/15km/h	Working Pressure	17mpa
Fuel Consumption Ration	220g/km·h	Wheel Base	2447mm
Engine Model	XiChai 4DX22-96	Breakout Force	55kn
Engine Power	70kw	Tyre	16/70-20
Service Brake	Air Over Hydraulic Disc Brake On Four Wheels	Oil Flow	100L/min
		Rated Speed	2400r/min

Qingdao Everun Machinery Co.,Ltd

Address : Room 902, Yongxin International Finance Centre
No.6 Qinling Road, Qingdao, China

Tel : +86-532-80997859

Website: www.everun.cc

•••••  : www.everun.com

Email : info@everun.cc

Fax: +86-532-80993178

