





# EVERUN ER16 WHEEL LOADER 4WD

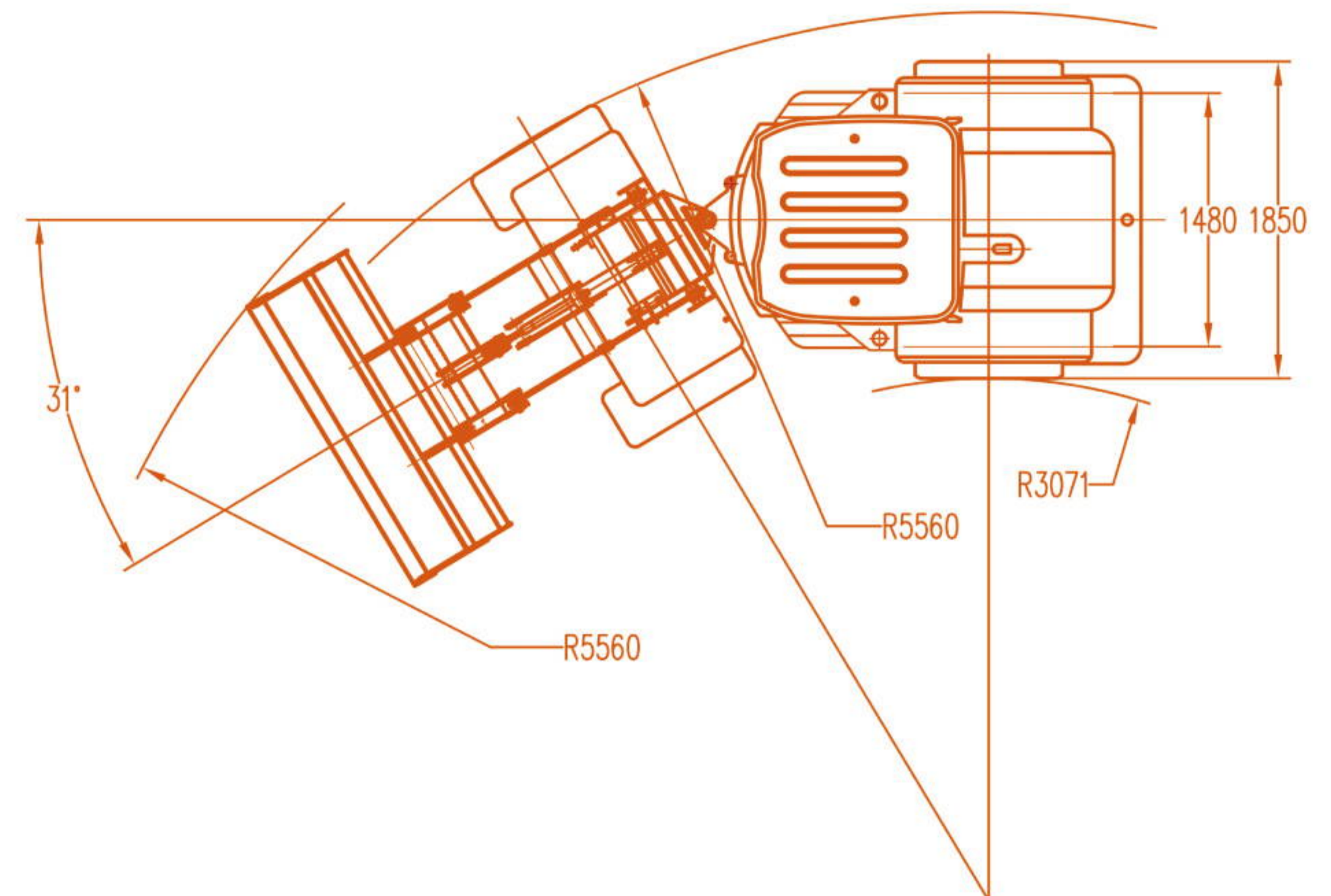
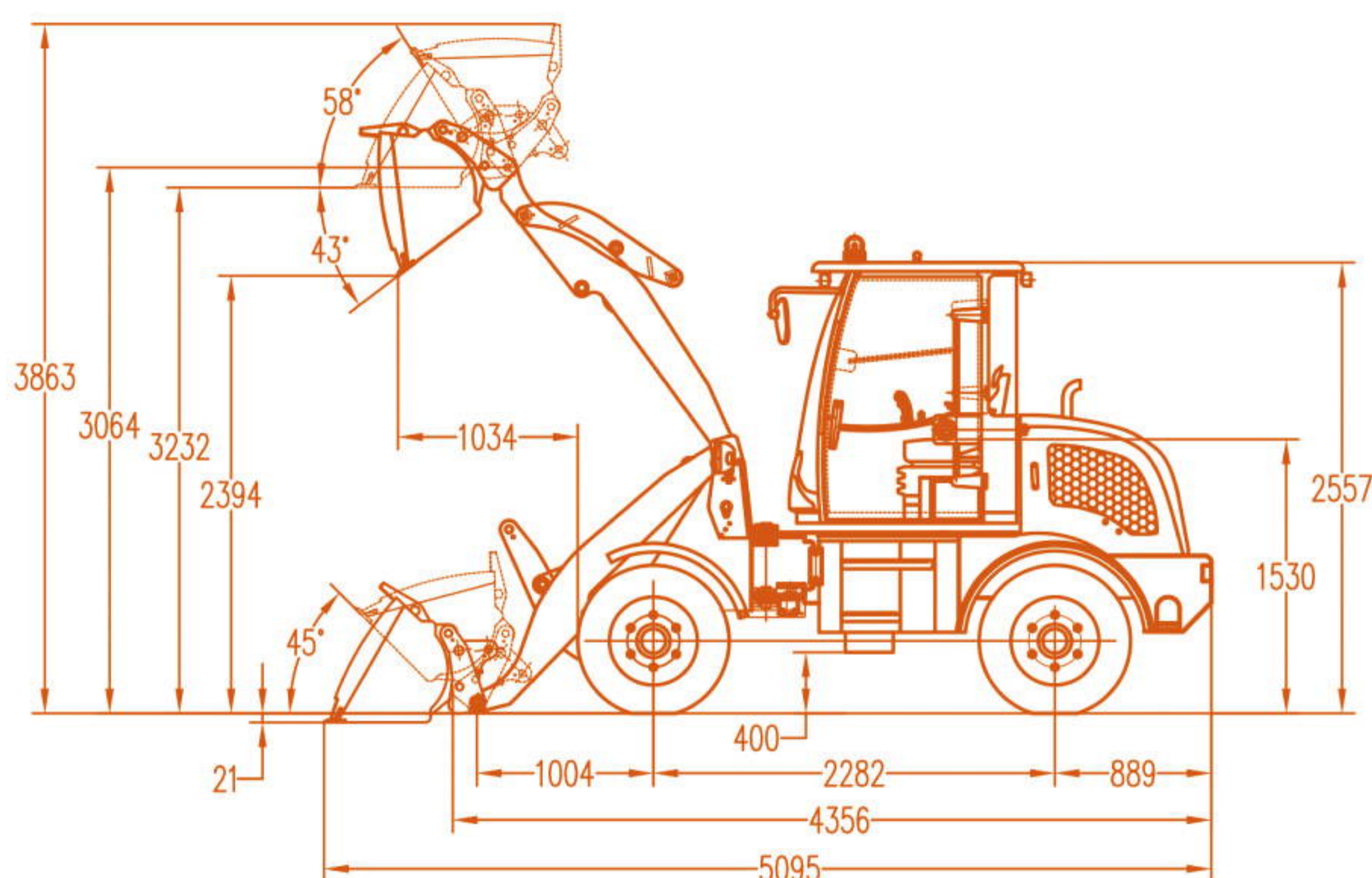
## Standard Configuration

Standard Bucket, Engine(Euro3 Engine), Torque Converter Transmission System, Rops & Fops Cabin, Electric Joystick, Quick Hitch, Floating Function, Tipping Cabin, Adjustable Steering Wheel, Comfortable seat, Cabin Heater Backward Camera, Hydraulic-Pressure Checking System, Engine Heater, Wheel-Reducer Axle, Air Brake 23.5/70-16 Agricultural Tyres, Lock For Lifting and Steering Cylinder, Parallel Linkage System, Free Service Spare Parts.

## Optional Configuration

Hydraulic Line, LED Light, E4 Lamp, Varta Anti-Freeze Battery, 315/80 R22.5 Snow Tyres, Tyre Chain, Three-Point Hitch, Loading Damper, Centralized Lubrication System, Loader Weighter, 5 Functions Electric Joystick, Kohler 1903TCR Engine(EPA4), Cummins QSF2.8 Engine(EPA4), Yanmar 4TNV94L Engine(Euro3), Air Conditioner, Different Attachments.

## Technical Parameter



Bucket Capacity	0.64cbm	Net Weight	3800kg
Loading Capacity	1600kg	Lifting Time	7s
Max. Driving Speed(I/II)	8/19km/h	Working Pressure	17mpa
Fuel Consumption Ration	238g/km·h	Wheel Base	2282mm
Engine Model	XinChai 498	Breakout Force	28kn
Engine Power	36.8kw	Tyre	23.5/70-16
Service Brake	Air Over Hydraulic Disc Brake On Four Wheels	Oil Flow	72L/min
		Rated Speed	2400r/min

**Qingdao Everun Machinery Co.,Ltd**

Address : Room 902, Yongxin International Finance Centre  
No.6 Qinling Road, Qingdao, China

Tel : +86-532-80997859

Website: [www.everun.cc](http://www.everun.cc)

Email : [info@everun.cc](mailto:info@everun.cc)

Fax: +86-532-80993178

