







# EVERUN ER60 WHEEL LOADER 4WD

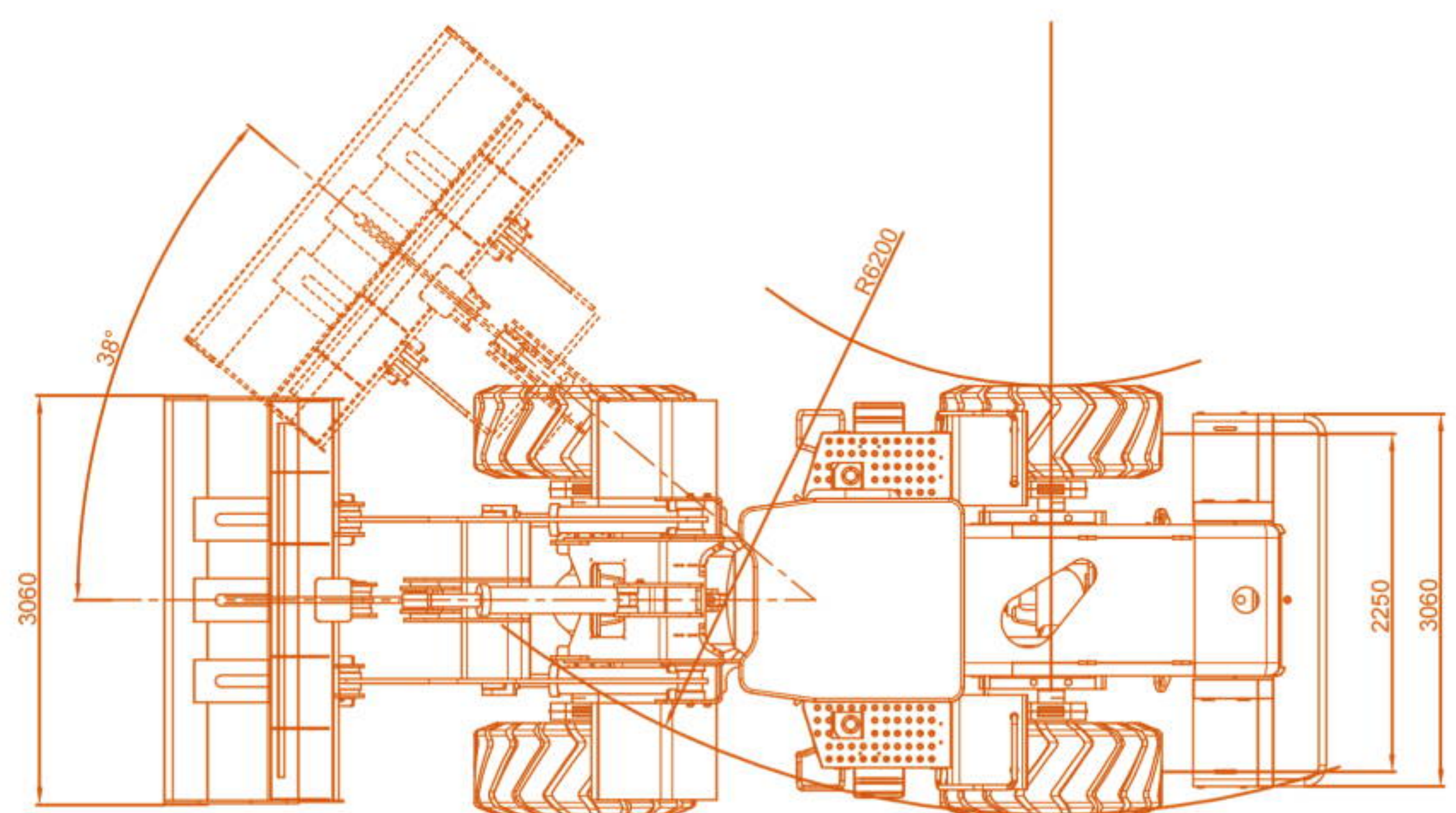
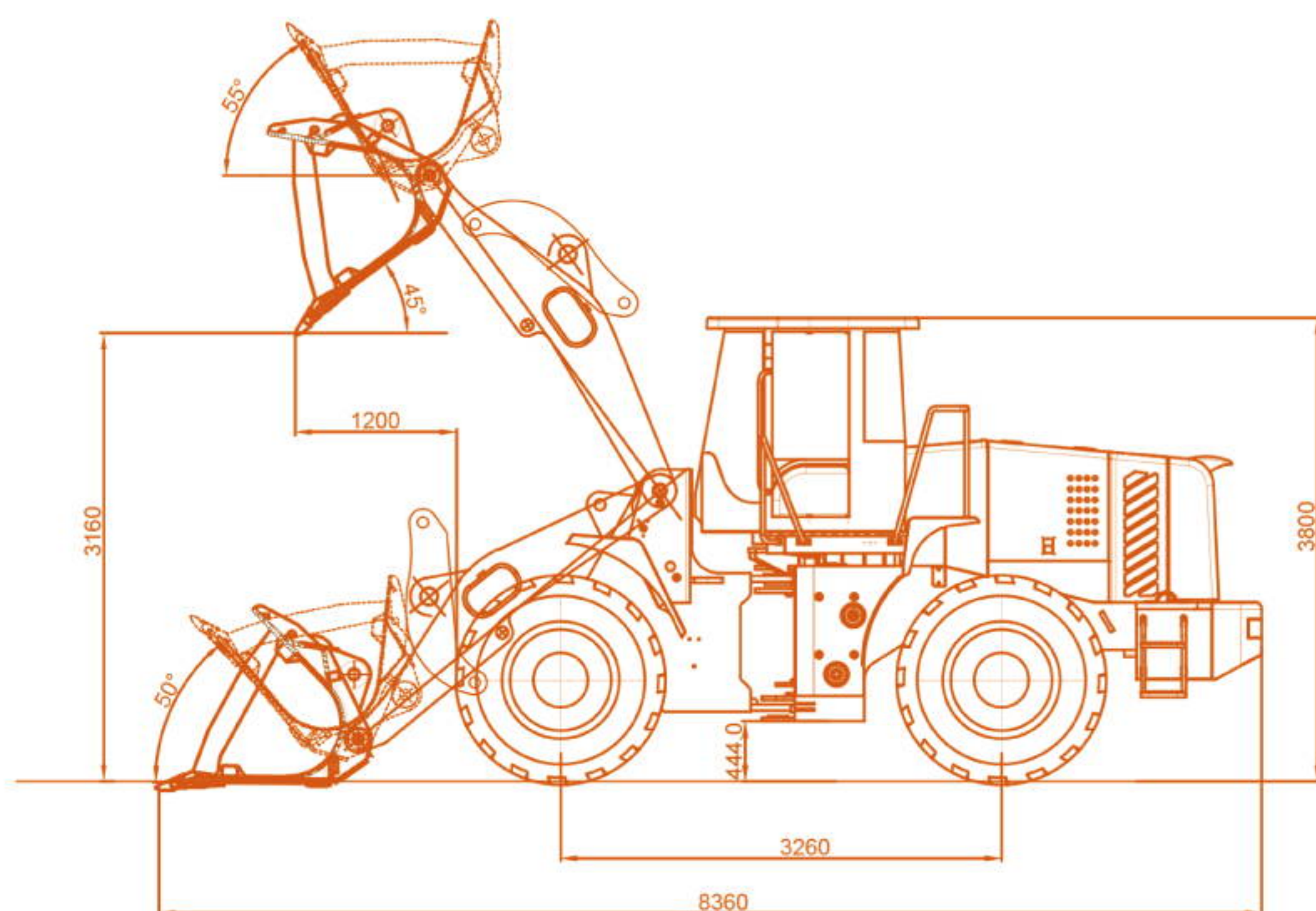
## Standard Configuration

Standard Bucket, Weichai Deutz Engine, Joystick, Cabin Heater, Engine Heater, Luxury Cabin Inside, Backward Camera, Comfortable Seat, 26..5-25 Tyres, Lock for Lifting and Steering Cylinder, Free Service Spare Parts Etc.

## Optional Configuration

Quick Hitch, E4 Lamp, LED Light, Centralized lubrication System, Air Conditioner, Varta Anti-Freeze Battery, Extra Hydraulic Line, Rops & Fops Cabin, Loader Weighter, Cummins Engine, Different Attachments.

## Technical Parameter



Bucket Capacity	3.3m <sup>3</sup>	Net Weight	19400kg
Loading Capacity	6000kg	Lifting Time	12s
Max. Driving Speed(I/II)	38km/h	Working Pressure	18mpa
Fuel Consumption Ration	220g/km·h	Wheel Base	2740mm
Engine Model	Weichai Deutz Engine	Breakout Force	204kn
Engine Power	175kw	Tyre	26.5-25
Service Brake	Air Assist Disc Brake On 4 Wheels	Oil Flow	275L/min
		Rated Speed	2200r/min

**Qingdao Everun Machinery Co.,Ltd**

Address : Room 902, Yongxin International Finance Centre  
No.6 Qinling Road, Qingdao, China

Tel : +86-532-80997859

Website: [www.everun.cc](http://www.everun.cc)

▶▶▶  : [www.everun.com](http://www.everun.com)

Email : [info@everun.cc](mailto:info@everun.cc)

Fax: +86-532-80993178

